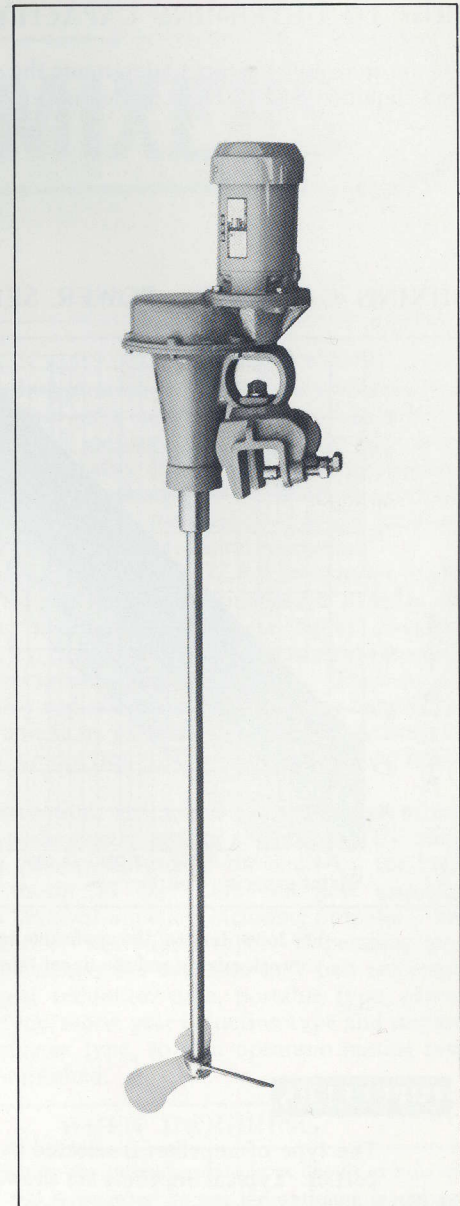
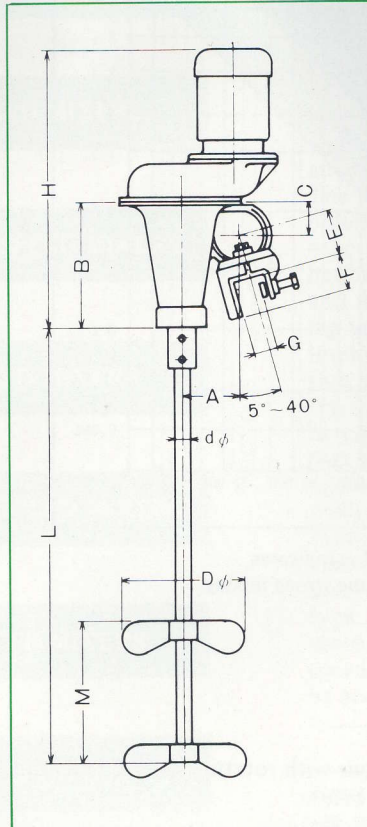


TPF TYPE TOYOKI SUPER

PORTABLE TYPE MIDDLE-SPEED MIXERS

- Easy to Install
This mixer can be installed directly to the edge of a tank or its supporting stand by means of a vice and the angle of the mixing shaft can be moved as desired. This enables the mixer to be set in the position where mixing effect is highest.
- Low Running Noise and High Power
The use of a vertical type flanged motor and highly accurate reduction gears of helical type made of highly lubricative special plastics makes the operation silent.
- No Need for Oiling
The incorporation of the hermetic bearings for the drive shaft eliminates the need for oiling and the bleeding out of oil does not occur.
- Blades of different sizes are used for 50-Hz and 60-Hz areas to provide optimum mixing performance in each area.



CAUTION: DO NOT RUN THE MIXER DRY.

SPECIFICATIONS (Standard Specifications) Wetting parts – SUS 304 Motors – Totally-enclosed fan-cooled Type

Type	Motor 3-phase 200V 4Pkw	50 Hz					60 Hz				
		Speed rpm	Propeller		Maximum mixing capacity, liter		Speed rpm	Propeller		Maximum mixing capacity, liter	
			Diam. Dφ	No. of steps	Dilute liquid	Mediumvisc sity liquid		Diam. Dφ	No. of steps	Dilute liquid	Mediumvisc sity liquid
TPF-0	100V 65W	350	150	1	400	135	420	150	1	380	130
" - 1	0.1	350	170	1	650	220	420	170	1	600	200
" - 2	0.2	300	250	1	1,100	370	360	230	1	1,150	390
" - 3	0.4	300	300	1	1,950	650	360	250	1	1,950	650
" - 4	0.75	315	350	1	4,000	1,350	380	300	1	3,800	1,350
" - 5	1.5	315	350	2	9,500	3,300	380	300	2	9,000	3,150
" - 6	2.2	315	400	2	18,000	6,200	380	350	2	18,000	6,200

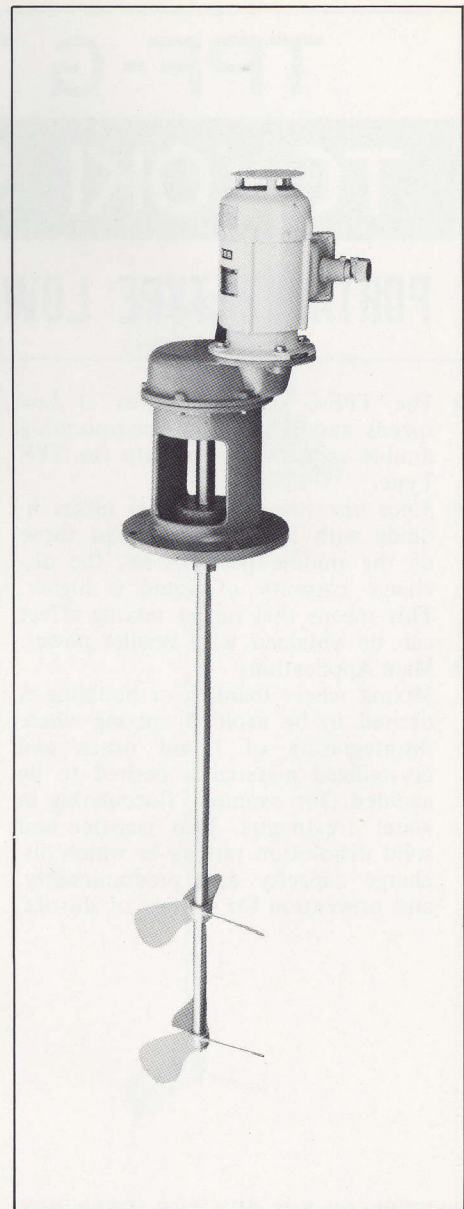
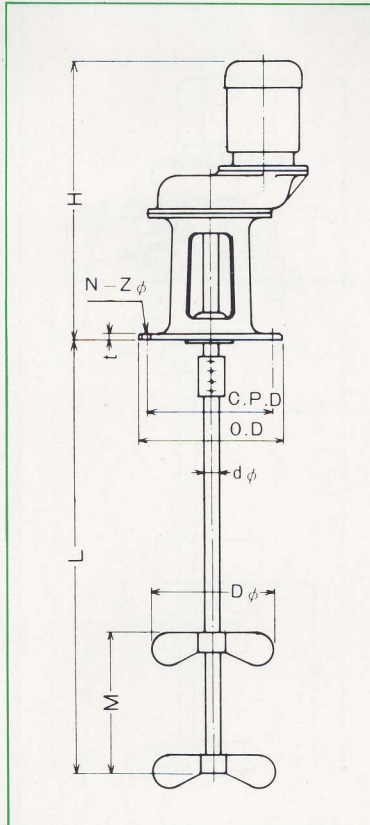
DIMENSIONS

Type	Shaft		Dimensions								Approximate weight kg
	Diam. dφ	Std. length L	H	A	B	C	E	F	G	M	
TPF-0	15	450	428	82	170	37	82	60	25	---	18
" - 1	20	800	438	82	170	37	82	60	25	---	19
" - 2	20	900	506	98	230	50	90	72	32	---	30
" - 3	25	1,100	530	98	230	50	90	72	32	---	35
" - 4	30	1,300	615	125	270	60	115	90	45	---	70
" - 5	30	1,500	657	125	270	60	115	90	45	480	80
" - 6	35	1,800	735	145	320	68	130	110	55	540	90

TTF TYPE TOYOKI SUPER

VERTICAL TYPE MIDDLE-SPEED MIXERS

- This type is of the same design as that of the portable type of TPF. Since it is made compact and lightweight, it is easy to install and occupies a very small space.
- Easy to install.
- Low operating noise and high power
- No need for oiling
- Blades of different sizes are used for 50-Hz and 60-Hz areas to provide optimum mixing performance in each area.



CAUTION: DO NOT RUN THE MIXER DRY.

SPECIFICATIONS (Standard Specifications) Wetting parts – SUS 304 Motors– Totally-enclosed fan-cooled type)

Type	Motor 3-phase 200V 4P kW	50 Hz					60 Hz				
		Speed r.p.m	Propeller		Maximum mixing capacity, liter		Speed r.p.m	Propeller		Maximum mixing capacity, liter	
			Diam. D φ	No. of steps	Dilute liquid	Medium viscosity liquid		Diam. D φ	No. of steps	Dilute liquid	Medium viscosity liquid
TTF-1	0.1	300	200	2	700	250	360	170	2	650	220
" - 2	0.2	300	230	2	1,200	410	360	200	2	1,100	370
" - 3	0.4	300	250	2	2,000	680	360	230	2	2,000	680
" - 4	0.75	315	300	2	4,500	1,600	380	250	2	4,000	1,350
" - 5	1.5	315	350	2	9,500	3,300	380	300	2	9,000	3,150
" - 6	2.2	315	400	2	17,000	5,800	380	350	2	18,000	6,200
" - 7	3.7	355	400	2	24,000	8,300	425	350	2	27,000	9,300

DIMENSIONS

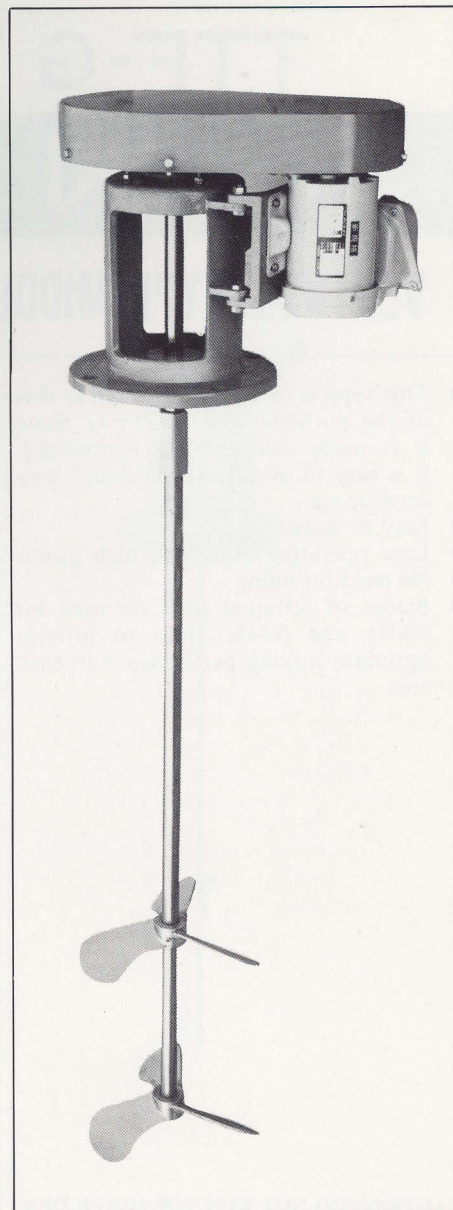
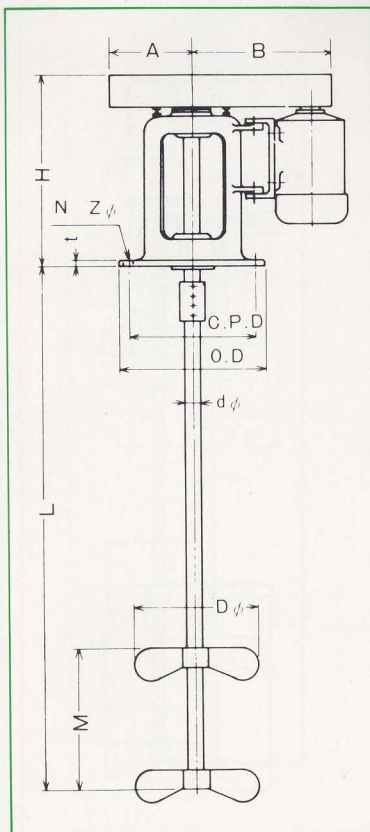
Type	Shaft		Height of body H	Mounting flange						M	Approx. weight kg
	Diam. D φ	Std. length L		Nominal diam.	Outside diam. O.D.	Bolt			Flange thickness t		
						Pitch diam. C.P.D.	Hole size Z φ	Number N			
TTF-1	20	900	506	5 K 150 A	265	230	19	4	18	220	35
" - 2	20	1,000	506	5 K 150 A	265	230	19	4	18	270	37
" - 3	25	1,200	530	5 K 150 A	265	230	19	4	18	330	41
" - 4	30	1,500	615	5 K 200 A	320	280	23	4	20	400	68
" - 5	30	1,700	657	5 K 200 A	320	280	23	4	20	480	77
" - 6	40	2,000	765	5 K 250 A	385	345	23	6	22	540	100
" - 7	45	2,300	825	5 K 250 A	385	345	23	6	22	620	140

5 * Number of bolts of mounting flanges indicates the case of an open tank.

TTV TYPE TOYOKI SUPER

VERTICAL TYPE MIDDLE-SPEED MIXERS

- The motor of the TTV Type is a general-purpose horizontal type motor installed vertically to the lateral side in the upper part of the body. This compact design is ideally suited where there is a limit in height.
- The use of V-belts for speed reduction makes the operation silent.
- The incorporation of the hermetic bearings for the drive shaft eliminates the need for oiling and the bleeding out oil does not occur.
- Blades of different sizes are used for 50-Hz and 60-Hz areas to provide optimum mixing performance in each area.
- A standard reduction ratio is 1/5. The speeds are variable as desired as far as within this range.
- Larger size models of more than 11kW are also available.



CAUTION: DO NOT RUN THE MIXER DRY.

SPECIFICATIONS (Standard Specifications) Wetting parts – SUS 304 Motors – Totally-enclosed fan-cooled type

Type	Motor 3-phase 200V 4P kW	50 Hz					60 Hz				
		Speed r . p . m	Propeller		Maximum mixing capacity, liter		Speed r . p . m	Propeller		Maximum mixing capacity, liter	
			Diam. D φ	No. of steps	Dilute liquid	Medium viscosity liquid		Diam. D φ	No. of steps	Dilute liquid	Medium viscosity liquid
TTV - 1	0.1	320	200	2	650	220	385	170	2	650	220
" - 2	0.2	320	230	2	1,150	390	385	200	2	1,200	415
" - 3	0.4	290	250	2	2,000	680	350	230	2	2,200	750
" - 4	0.75	290	300	2	4,700	1,600	350	250	2	3,600	1,250
" - 5	1.5	290	350	2	9,500	3,400	350	300	2	8,800	3,000
" - 6	2.2	290	350.400	2	16,000	5,600	350	350	2	18,000	6,200
" - 7	3.7	290	400	2	22,500	7,800	350	350.400	2	24,000	8,200
" - 8	5.5	290	450	2	38,000	14,000	350	400	2	35,000	13,000
" - 9	7.5	275	500	2	65,000	23,000	330	450	2	64,000	23,000

DIMENSIONS

Type	Diam. D φ		Std. length L	Height of body H	Mounting flange					M	A	B	Approx. weight kg
					Nominal diam.	Outside diam. O.D.	Bolt						
	Pitch diam. C. P. D.	hole size Z φ					Number N						
TTV - 1	20	900	300	5 K 125 A	235	200	20	4	16	220	145	290	22
" - 2	20	1,000	300	5 K 125 A	235	200	20	4	16	270	145	290	25
" - 3	25	1,200	400	5 K 200 A	320	280	23	4	20	330	165	330	58
" - 4	30	1,500	400	5 K 200 A	320	280	23	4	20	400	165	330	63
" - 5	35	1,800	495	5 K 250 A	385	345	23	6	22	480	250	400	130
" - 6	40	2,000	495	5 K 250 A	385	345	23	6	22	540	250	410	140
" - 7	45	2,300	555	5 K 300 A	430	390	23	6	22	620	275	480	180
" - 8	50	2,500	555	5 K 300 A	430	390	23	6	22	700	275	490	200
" - 9	60	2,800	610	5 K 300 A	430	390	23	6	22	800	325	550	250

* Number of bolts of mounting flanges indicates the case of an open tank.